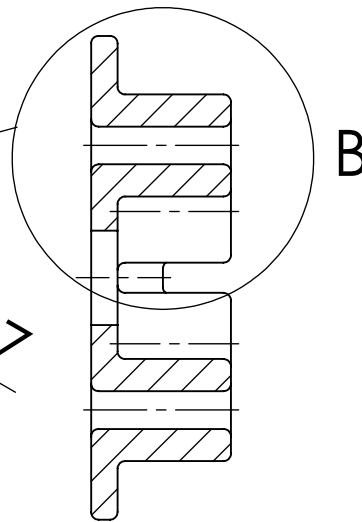
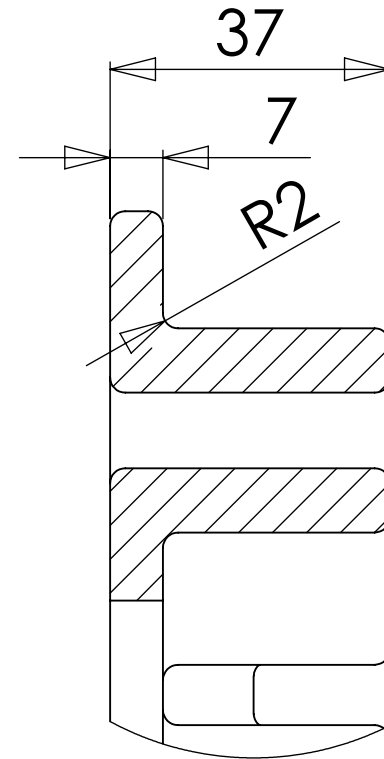


SECTION A-A



DETAIL B
SCALE 1 : 1



PROPRIETARY AND CONFIDENTIAL
 THE INFORMATION CONTAINED IN THIS DRAWING IS THE SOLE PROPERTY OF <INSERT COMPANY NAME HERE>. ANY REPRODUCTION IN PART OR AS A WHOLE WITHOUT THE WRITTEN PERMISSION OF <INSERT COMPANY NAME HERE> IS PROHIBITED.

		DIMENSIONS ARE IN INCHES		NAME	DATE	AHS STAFF		
		TOLERANCES:						
		FRACTIONAL ±		DRAWN				
		ANGULAR: MACH ± BEND ±		CHECKED				
		TWO PLACE DECIMAL ±		ENG APPR.				
		THREE PLACE DECIMAL ±		MFG APPR.				
		MATERIAL --		Q.A.				
NEXT ASSY	USED ON	FINISH --		COMMENTS:		SIZE	DWG. NO.	REV.
APPLICATION		DO NOT SCALE DRAWING				A		
						SCALE:1:2	WEIGHT:	SHEET 1 OF 1